



TRIONMPH

WHEELCHAIR LIFT

citlelevator.com



CITI Elevator

MODELS

MODELS



Solutions for Accessibility

AVAILABLE MODELE

S - Semi-enclosed Cab with top gate and bottom door (supplied); semi-enclosed Hoistway (to be built by customer).

SE - Semi-enclosed Cab model (supplied) with top and bottom door; fully-enclosed hoistway (to be built by customer).

SE -EN Semi- Semi Enclosed Cab Model (supplied) with semi or full Hoistway structure (supplied).

EN -HW Fully enclosed Cab (supplied); fully enclosed Hoistway (to be built by customer).



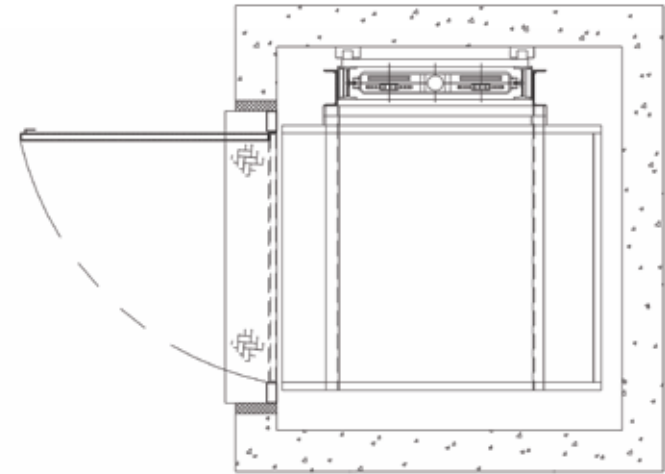
OPTIONS

CAB FINISH

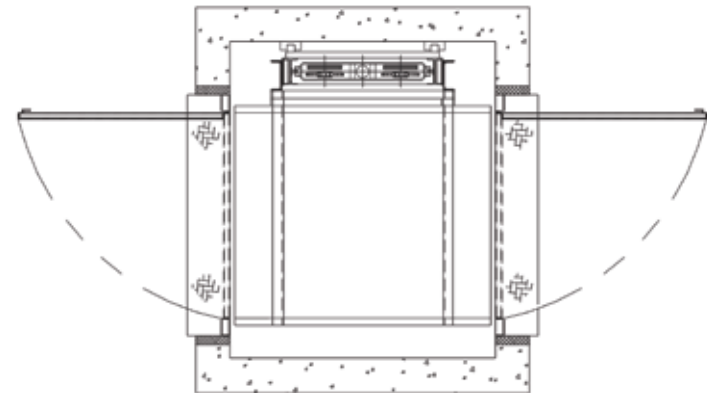


DOOR AND GATES





STYLE 1 ON/OFF SAME SIDE



STYLE 2 ON/OFF OPPOSITE SIDE

TECHNICAL SPECIFICATIONS

Code: ASME A18.1/ CSA B-355

Capacity: up to 1500 lbs (681 kg)

Max size: 21 sq/ft

Max Speed: 30 fpm

Max Travel: 21 ft (7m)

Pitless: Optional.

Operation: Constant Pressure